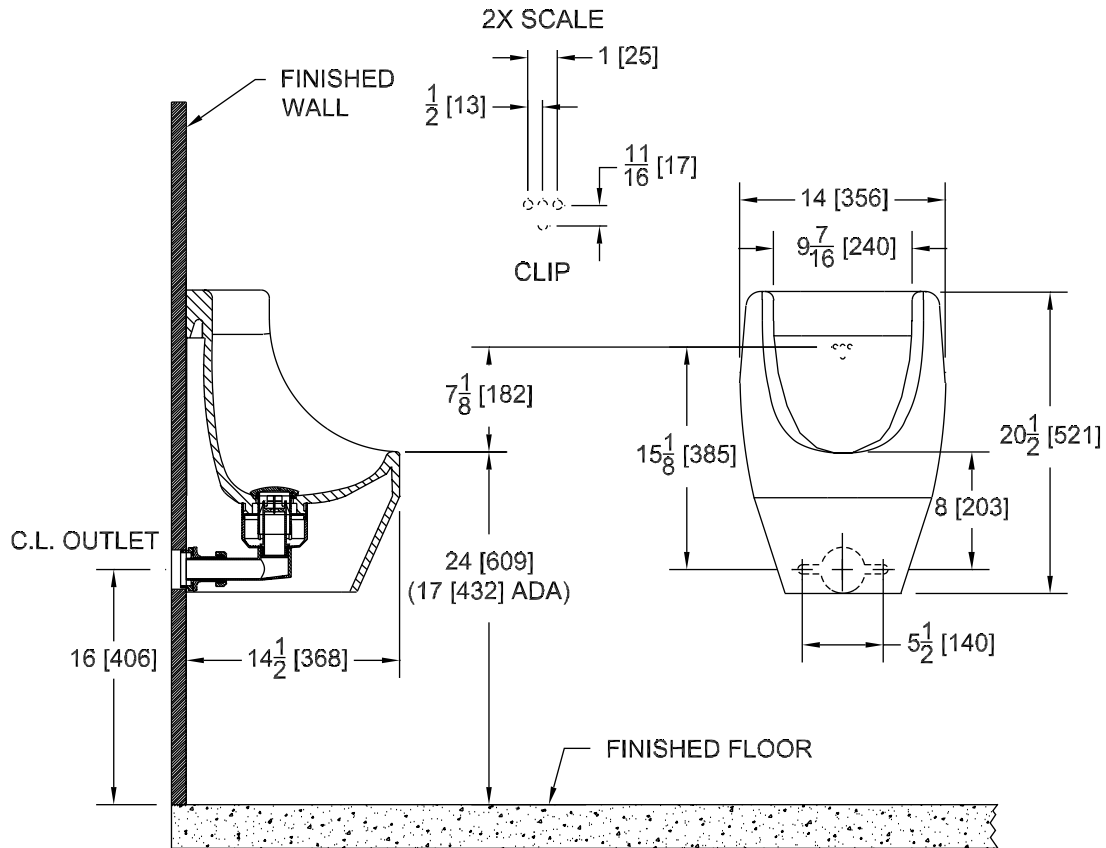


Z5796

Quarter Stall Waterless Urinal

Rough-in Dimensions for Z5796 Series



WATERLESS URINALS

See Zurn One Systems for suggested packages.

Zurn Plumbing Products Group Commercial Brass and Fixtures Operation
2640 South Work Street · Falconer, NY 14733 · Phone: 716-665-1132 · Fax: 716-665-1135 · www.zurn.com