

Features

- Vitreous china
- Includes removable strainer, sealing liquid, universal mounting bracket, outlet spud, and hangers
- 15-7/8" (40.3 cm) extended rim

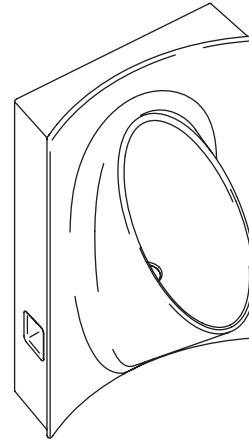
WATERLESS URINAL K-4919

ADA

Codes/Standards Applicable

Specified model meets or exceeds the following:

- ADA when rim is mounted no higher than 17" (43.2 cm) from finished floor
- IAPMO/UPC
- CSA B45
- ICC/ANSI A117.2
- ASME A112.19.19-06



Colors/Finishes

- 0: White
- Other: Refer to Price Book for additional colors/finishes

Accessory:

- NA: None applicable

Specified Model

Model	Description	Colors/Finishes	
K-4919	Waterless urinal	<input type="checkbox"/> 0	<input type="checkbox"/> Other_____
Optional Accessory			
18773	3" outlet spud	<input type="checkbox"/> NA	

Product Specification:

The waterless urinal shall be made of vitreous china. Urinal shall have a 15-7/8" (40.3 cm) extended rim. Urinal shall include a removable strainer, sealing liquid, universal mounting bracket, outlet spud, and hangers. Urinal shall be Kohler Model K-4919-_____.

STEWART™ L

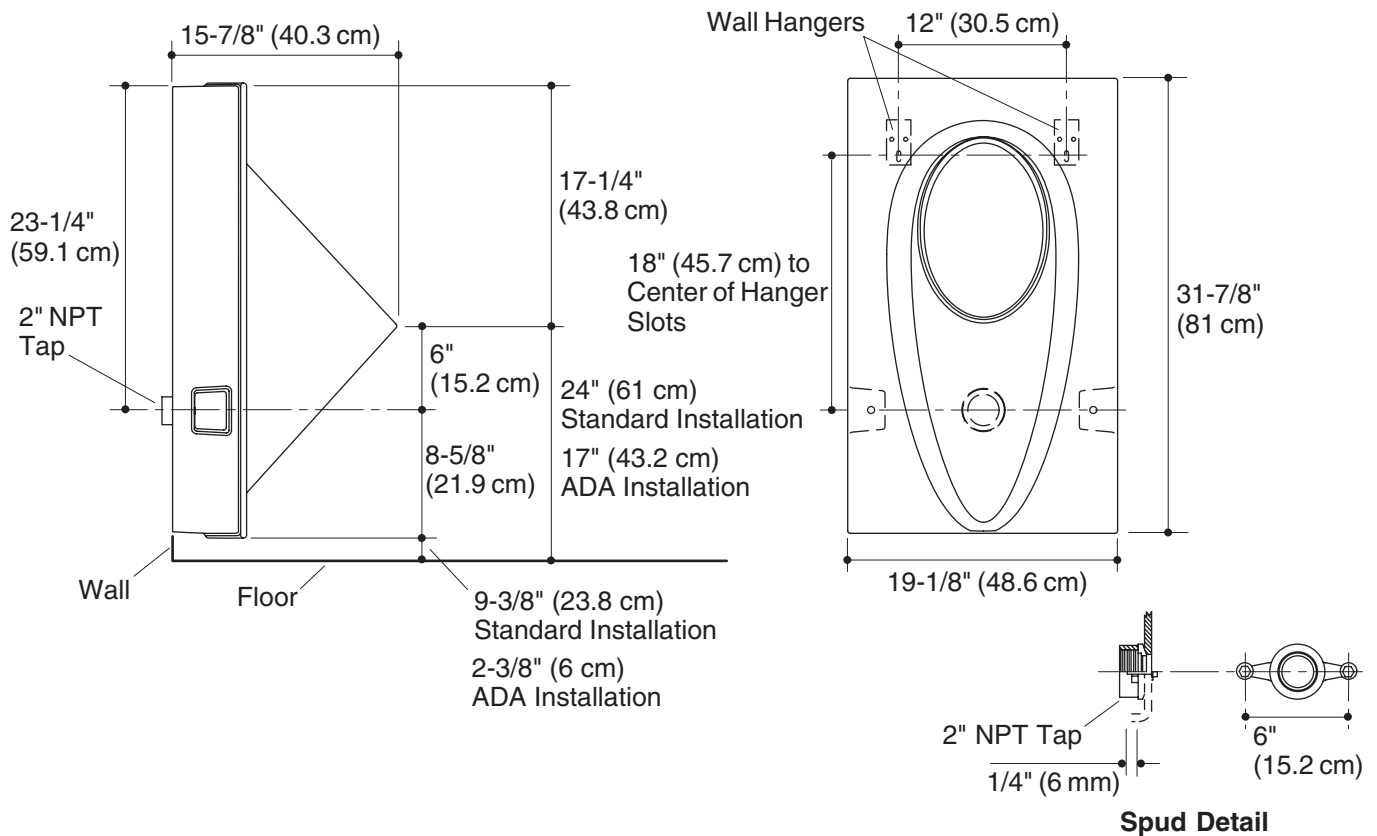
Technical Information

Included components:	
2" outlet spud	18766
Strainer	1046455
Hanger (2 required)	64512
3 oz. (89 ml) sealing liquid	1048655
Universal mounting bracket	1044199

Installation Notes

Install this product according to the installation guide.

Roughing-in remains the same when using the optional 3" outlet spud.



Product Diagram